

## Accessories

### Liquid Level Probes and Probe Holders

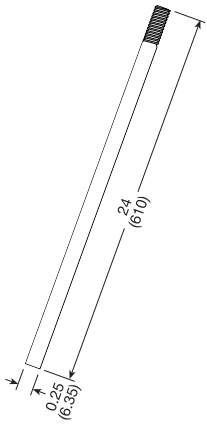
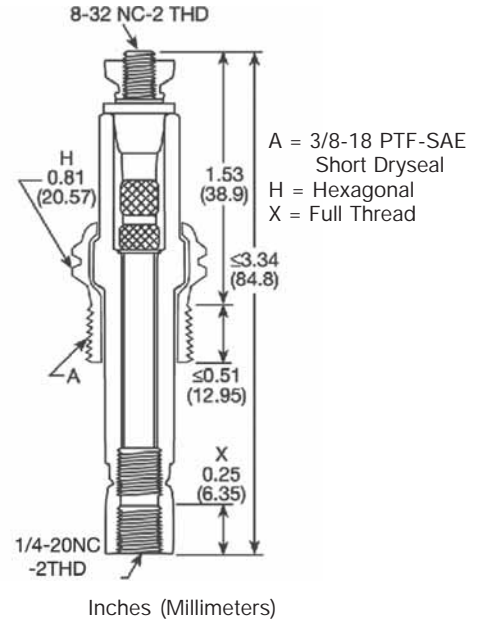


### Liquid Level Control Electrodes

#### Description

Designed for use with all conductive liquid level controls. Composed of an alumina insulator and metal parts made of number 300 series nonmagnetic stainless steel. These internally conductive glass-sealed electrodes are capable of up to 2,500 PSI (172.4 bars) at 21°C and 371°C at 1 atmosphere.

Part Number	Description
WCC-1138	Electrode (UL Recognized)
WCC-1138-3	Electrode with Common Connection



### Liquid Level Probe

#### Description

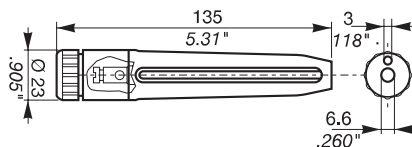
Threaded stainless steel probe measuring 24 in. (61 cm) long. Designed for use with WCC-1138 and WCC-1138-3 liquid level control electrodes.

P/N: LLP-24

### Suspension Electrode

#### Description

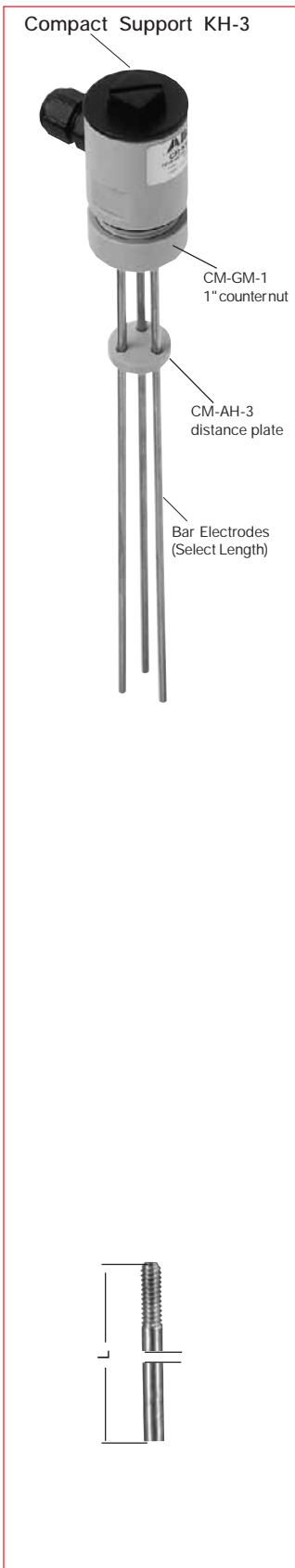
Steel electrode (X 12 CR Mo S 17) with sleeve (Lupulen 6011 L) suitable up to 60°C max. Attaches to an insulated wire suspended from the top of the holding tank. Length of wire determines the sensing location.



Part Number	Pack. unit (pieces)	Weight 1 pc. kg/oz
1SVR 402 902 R 0000	1	0.053/1.855

## Accessories

### Liquid Level Probes and Probe Holders



### Compact Probe Holder KH-3 for 3 bar electrodes

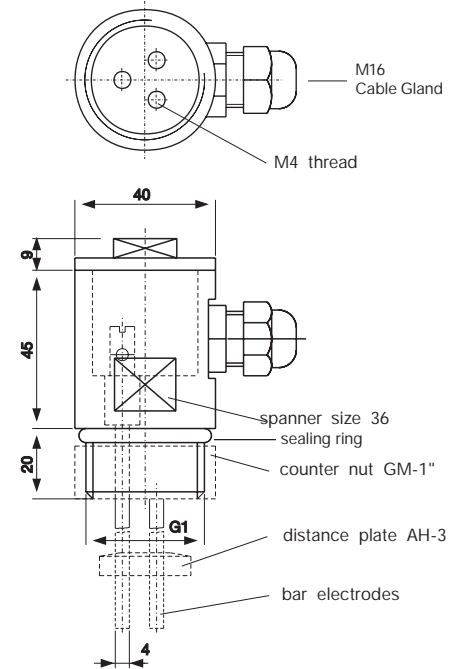
- Ideally suited for use with liquid level relays
- Wire connection by screw terminals
- Strain relief by M16 cable gland
- Temperature range up to 90 °C
- Food safe material (PPH)
- Screw-in electrodes (M4 thread)
- Distance plate (AH-3) and locking nut (GM-1) optionally available as accessories

### KH-3 Compact Probe Support

#### Description

Type of mounting: G 1" thread  
 Mounting position: any  
 Enclosure material: PPH  
 Sealing: NBR 70  
 Temperature range: 90 °C max.  
 Pressure: 10 bar max. (60 °C)

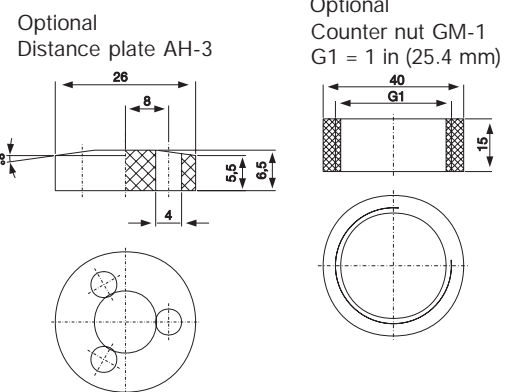
Compact support KH-3



### Accessories

**Distance Plate AH-3**  
 Use optional distance plate AH-3 to keep long probes from touching.

**Counter Nut GM-1**  
 Use optional counter nut GM-1 for tanks that cannot be threaded.



\*Dimensions in Millimeters

Type	Description	Part Number	Pack. unit (pieces)	Weight 1 piece kg/oz
CM-KH-3	Compact support for 3 bar electrodes	1SVR 450 056 R 6000	1	0.085/3.000
CM-AH-3	Distance plate for 3 bar electrodes	1SVR 450 056 R 7000	1	0.004/0.141
CM-GM-1	Counter nut for 1" thread	1SVR 450 056 R 8000	1	0.010/0.247

### Bar Electrodes

#### Description

Thread M4 for use with KH-3 probe holder  
 Material: stainless steel 304, high-grade steel 14301

Length mm	Part Number	Pack. unit (pieces)	Weight 1 pc. kg/oz
300	1SVR 450 056 R 0000	1	0.030/1.058
600	1SVR 450 056 R 0100	1	0.060/2.116
1000	1SVR 450 056 R 0200	1	0.100/3.527